

СОЮЗ scaffolding
production
facility



**Russian manufacturer
of professional scaffolding**

www.soyuz.pro

About the Company

The «SOYUZ» scaffolding plant was founded by amalgamation of companies «POLATI» and «Avangard»:

«Avangard» company:

www.skavangard.ru

14

years of work with prefabricated rosette structures for sports facilities

450

highly qualified engineers and workers

>3500

implemented projects

13

countries of the world – sales geography

2000

tons a year – the plant's capacity

«POLATI» company:

www.polati.ru

9

year of experience in installation of scaffolding

800

installers, who are ready to perform installation anywhere in the world

>100

implemented projects across Russia

>100 000

scaffold structures delivered

> 10 million

square metres of assembled scaffolds

As a result, the «SOYUZ» scaffolding plant is a production association that is able to implement a comprehensive approach from joint development of a technical design assignment and design to manufacturing, delivery, and installation of scaffolding.

«SOYUZ» provides services on sales, lease, and training in scaffolding installation. Each service can be provided either separately or as a part of the set.





Creation of Constructions

High assembly speed. Safety of works at heights.

The structure was created considering international experience in the use of scaffolding. We paid our special attention to desires of specialists who operate scaffolding on a daily basis.

Metric system, divisible dimensions

PRO-1 series SOYUZ scaffolds have a metric system that is simple and easy-to-understand. Dimensions along axes of poles are multiple of 0.25 m. It ensures full interchangeability and multiplicity of all scaffold elements between one another.

A solid working surface with no gaps

A simple and clear board spreading system for all standard modular sizes forms a solid working surface with no gaps.

Protection against accidental uplift

All scaffold boards have an integrated system of boarding protection against accidental uplift resulting from wind and impact loads. A lock is activated automatically during boarding installation, and the installer doesn't have to waste his time and remember this at all times.



Use of Scaffolding

Industry



Power sector
Thermal/hydroelectric/
nuclear power stations



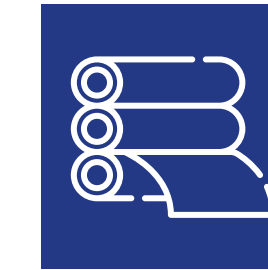
Oil refineries



Cement plants



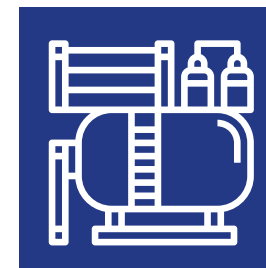
**Chemistry
and petrochemistry**



Pulp and paper mills



Metallurgy



Gas industry



**Production
and exploration**



Food industry

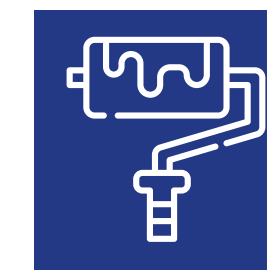
Construction



**Residential
and public buildings**



**Bridges
and tunnels**



**Repair, reconstruction,
restoration**



**Space and aviation
industry**

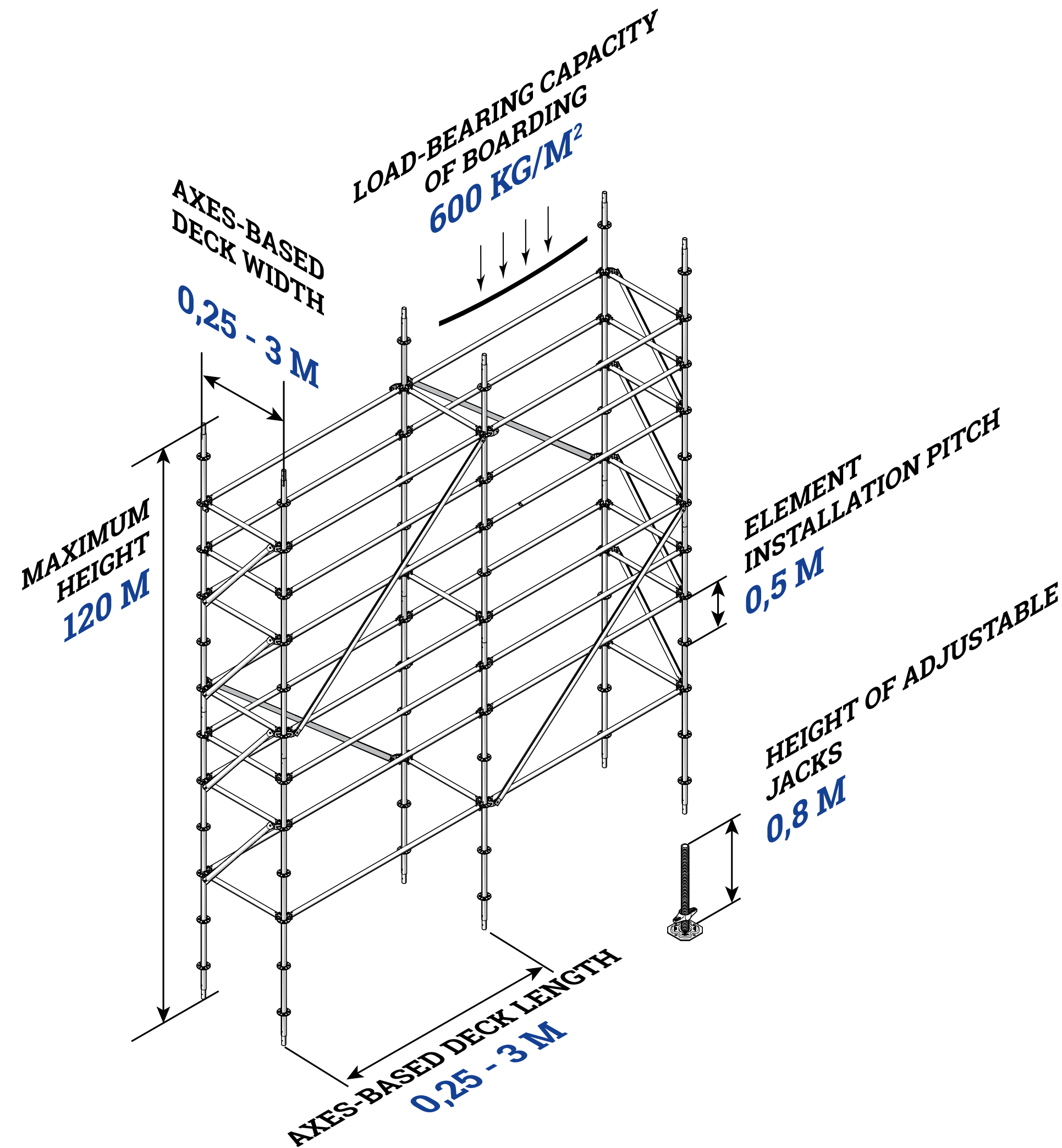


**Ship-building
and ship-repairing**

Miscellaneous



Basic Characteristics



Elements are marked

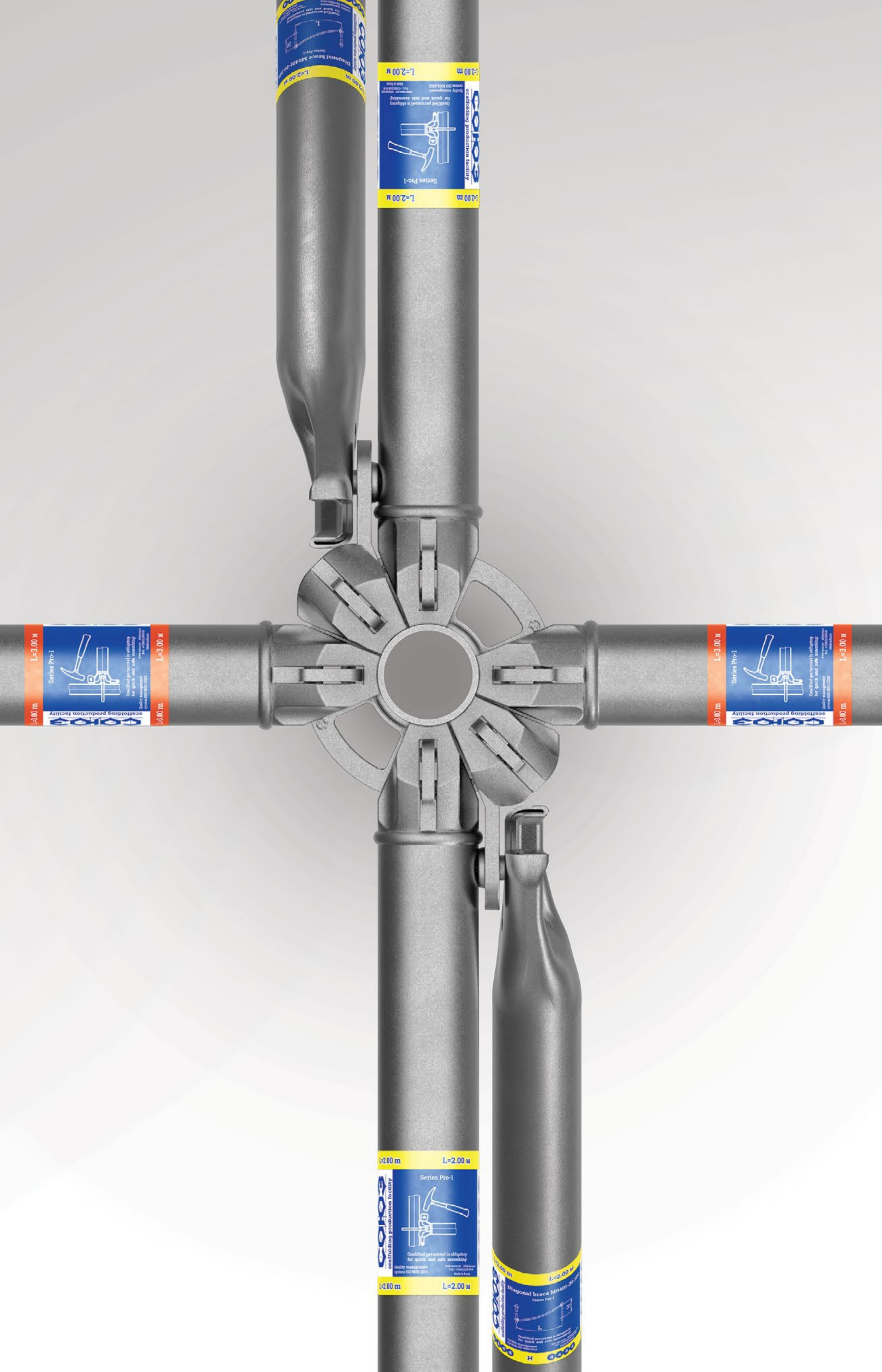


Delivered on pallets

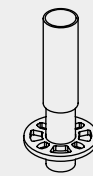


Maximum weight of an element

Basic Structural elements



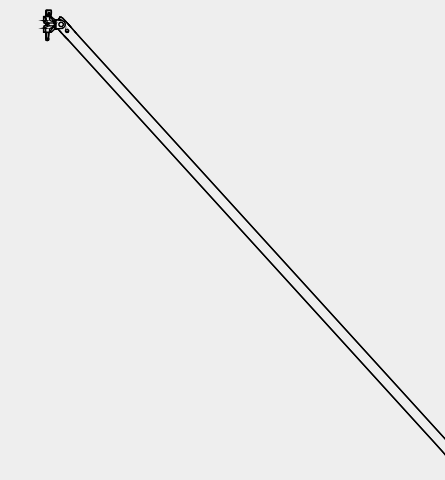
**Jack
(screw-type base)**



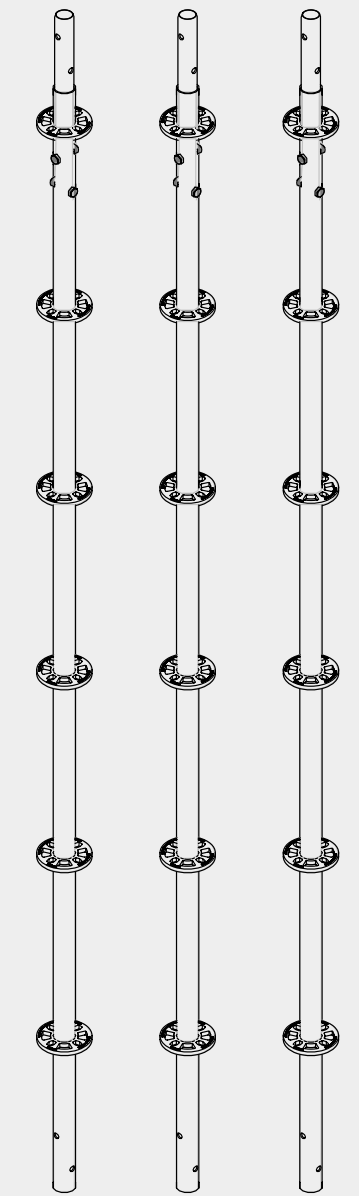
Start element



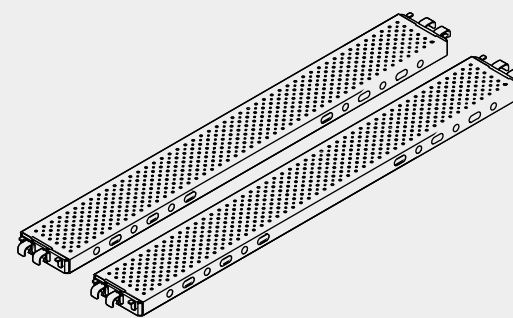
Girder



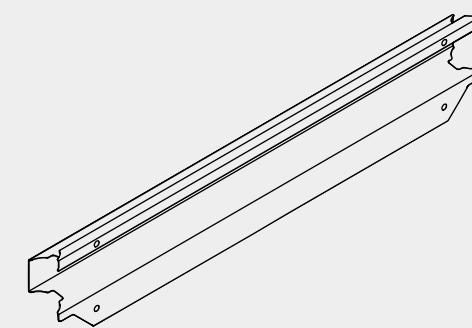
Strut



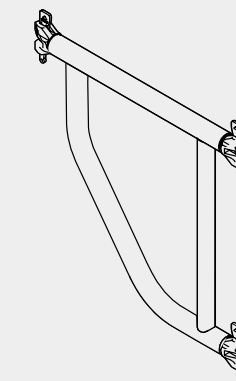
Pole



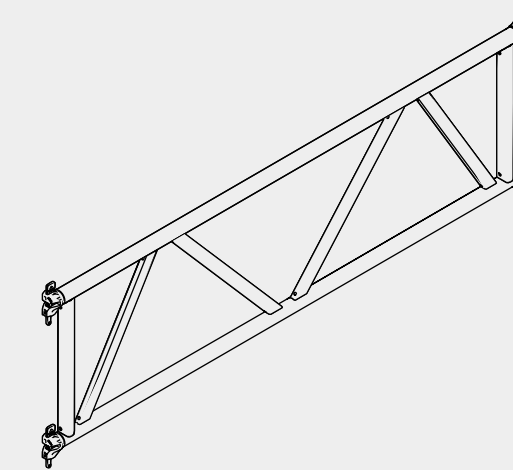
Boarding



Boarding skirt



Cantilever



Truss

Full Compliance with Russian and International Standards

Reliability and safety

GOST

Scaffolds are developed according to GOST 27321-87

SNIP

Pole stability is calculated according to construction code SP 16.13330.2017



Climatic version minus 70 °C to +450 °C

Zn

Scaffolding is hot-dip galvanized



Scaffolds are transported and stored according to GOST 15150 as per storage conditions group OZh4

**20
YEARS**

Operation life is 20 years

**EN
74**

Clamps meet European standard EN74

**EN
12811**

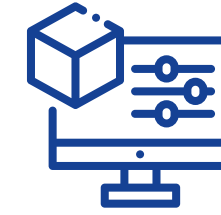
Scaffolding meets European standard EN12811



The Algorithm of Our Work



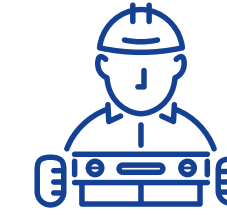
Joint development of a technical design assignment, site visit, reception of project documentation, and briefing with the Customer



Computerized modelling and preparation of a technical and commercial proposal, visualization of the design, price, delivery deadlines, and scope



Sale or lend-lease of a scaffolding set, conclusion of a contract, complete-set preparation and delivery



Supervised installation, supervision, and training



Consulting support

Basic operating principle: high assembly speed. Safety of works at heights



To deliver the product just in time as specified by the Customer



To provide the Customer with European quality and service for Russian prices



To ensure safety of the Customer's personnel during scaffolding assembly and operation



To reduce the downtime of the Customer's equipment due to high assembly speed and the early beginning of installation

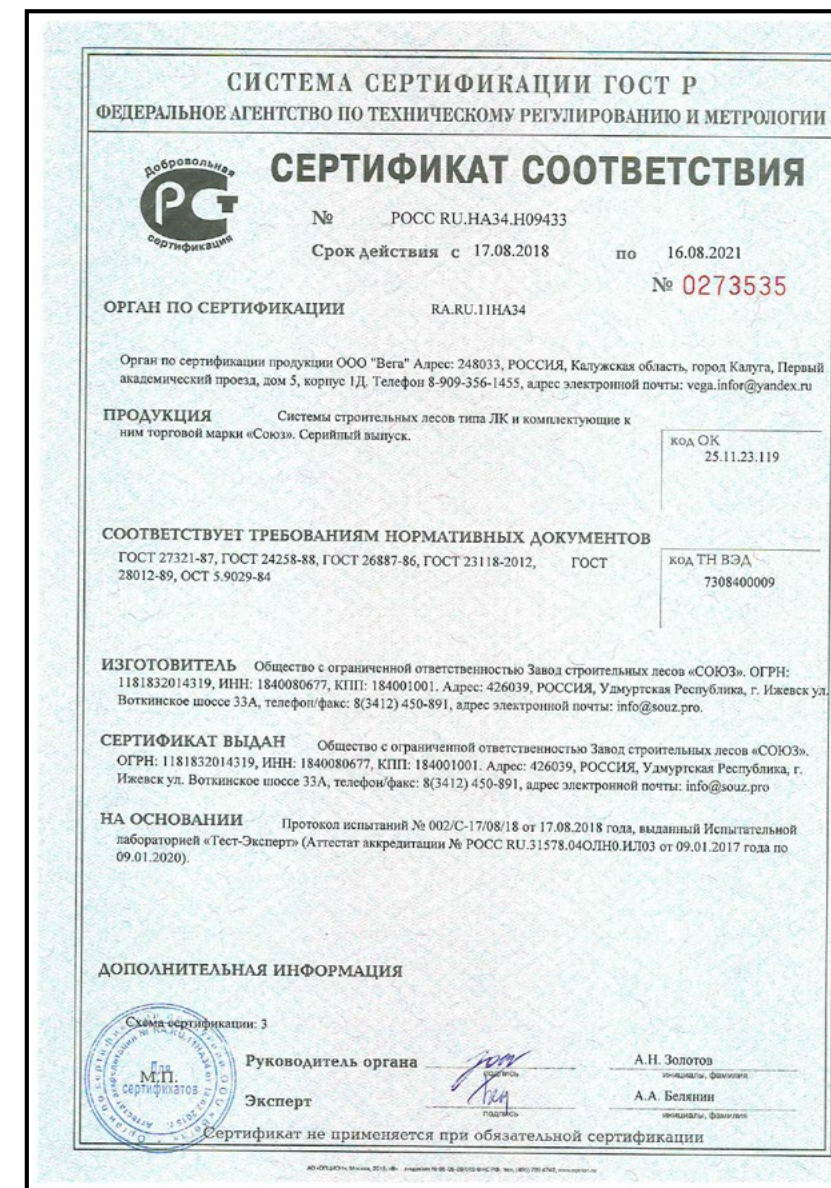
Implemented Projects



Please order a scaffolding sample to get yourself familiar with our products and for trial assembly



ISO 9001



GOST R No. E91786

«SOYUZ» SP LLC

ul. Votkinskoye shosse 33a
Izhevsk 426039, Russia

tel. 8 800 234 99 00,
+7 3412 450 892

info@soyuz.pro, www.soyuz.pro